

### Aftercare Instructions

#### Cistern

Do not introduce caustic chemical substances (e.g. containing chlorine compounds or similar) as these may damage the valve components and cause failure.

#### Seat

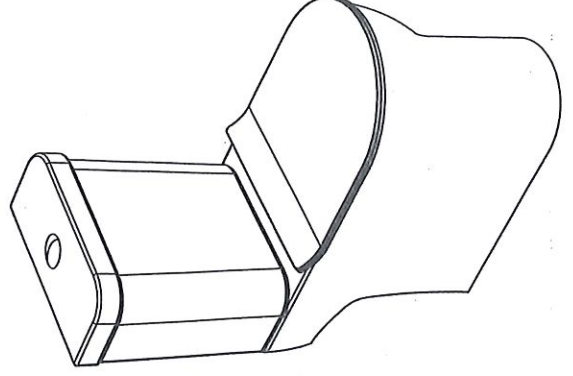
When using chlorine-based cleaners to clean the pan bowl, ensure that these do not come into contact with the seat. Keep the seat and cover in an upright position during cleaning to avoid discolouration of surfaces or rusting of metal parts.

# AIR

## AIRCC77

Close Coupled Rimless WC

### INSTALLATION INSTRUCTIONS



### Customer Services

t: +44(0)208 686 5100  
e: [technical@saneux.com](mailto:technical@saneux.com)

4 Imperial Way  
Croydon CR0 4RR

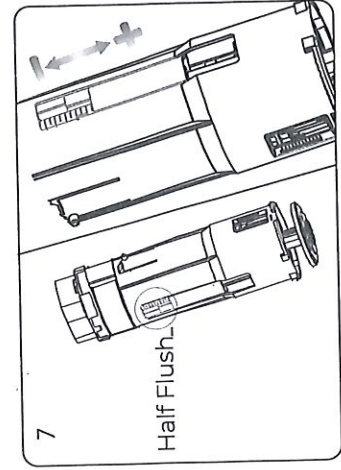
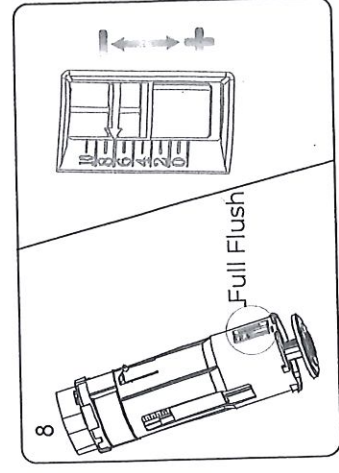
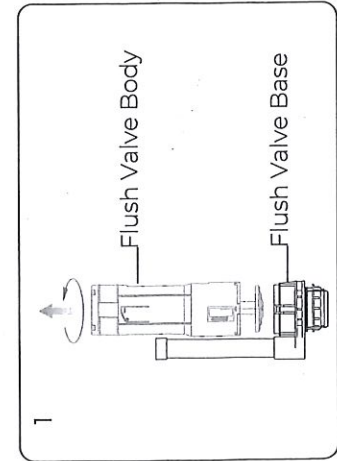
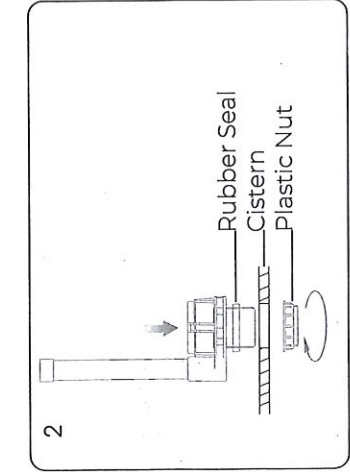
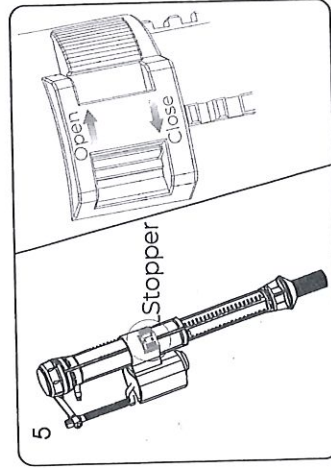
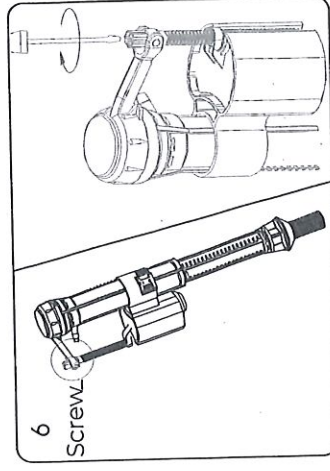
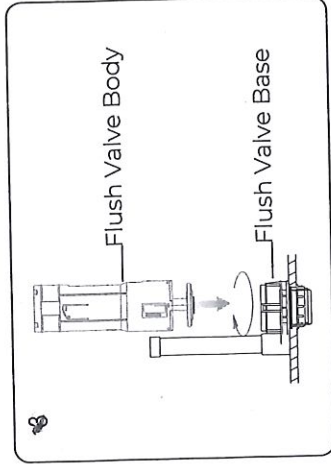
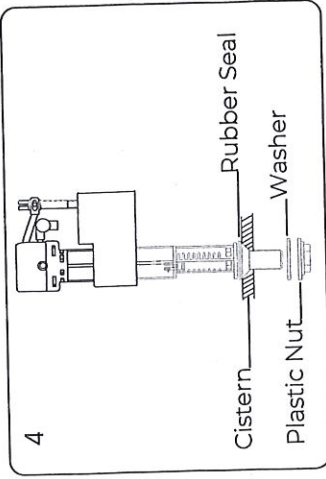
[www.saneux.com](http://www.saneux.com)



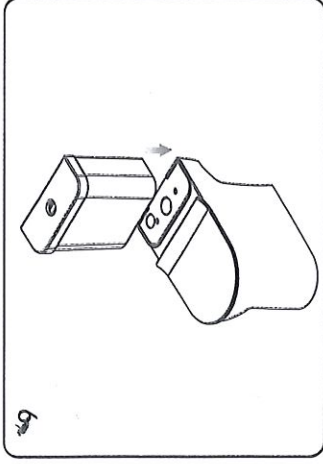
### Installing the flush valve and fill valve

Prior to installation flush out any impurities in the cistern.

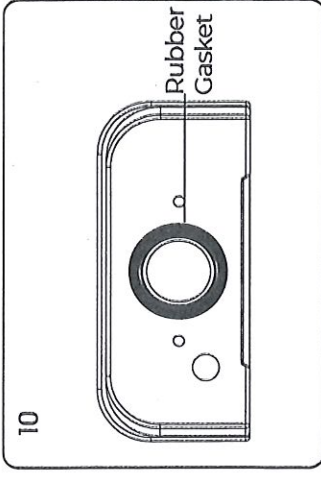
1. Turn the flush valve body anti-clockwise to part it from the flush valve base.
2. Install the flush valve base and seal with the fixing nut provided.
3. Insert the flush valve body to the flush valve base, turning it clockwise until it 'clicks'.
4. Install the fill valve to the cistern using the rubber seal and plastic nut. Ensure the float cup has room to move up and down freely. The fill valve comes factory set to a height suitable for the cistern.
5. If the fill valve requires adjustment, open the stopper to allow the float to slide up and down. Close the stopper once the float is in the right position.
6. The float can also be adjusted by turning the screw. Clockwise moves the float up and anticlockwise moves the float down.
- 7 & 8. If the flush valve needs adjustment simply increase or decrease the full or half flush numbers.



9. Once the flush valve and fill valve are installed and (if necessary) correctly adjusted the cistern can be fitted to the pan.
  10. Fit the rubber gasket around the flush valve outlet on the underside of the cistern. The gasket should be correctly aligned with the thread of the flush valve to ensure there is no leakage.
  11. Insert the cistern fittings arranging the components correctly. Make sure that the cistern is placed correctly on the pan and firmly tighten the plastic nut.
  12. Fit the flush button to the cistern lid using the plastic fixing nut. Make sure the rods make contact with the flush valve. The rod length can be adjusted by turning the nuts clockwise and anticlockwise.
  13. Make sure that the flush button correctly matches the full flush and half flush on the flush valve.
  14. Connect the soil pipe and ensure it is adequately sealed around the pan outlet to prevent leakage.
- Do not overtighten the supply to the inlet valve as this could damage the inlet valve causing leakage.
- After connecting the water supply to the inlet valve check that all components do not touch the internal walls of the cistern and that the float can freely move up and down.
- Check all connections are secure and a soil pipe is correctly fitted before testing the flush.

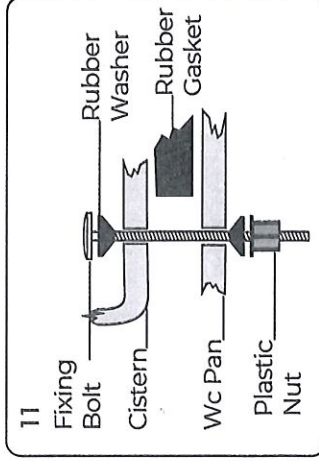


9



10

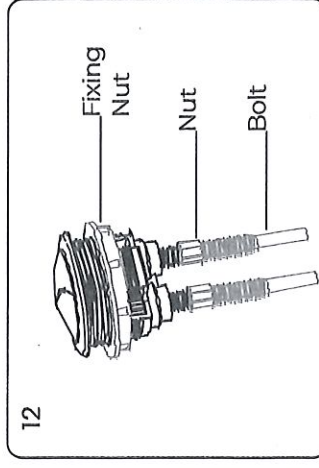
Rubber  
Gasket



11

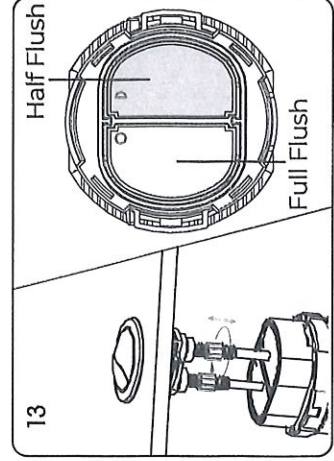
Fixing  
Bolt  
Cistern  
Wc Pan  
Plastic  
Nut

Rubber  
Washer  
Rubber  
Gasket



12

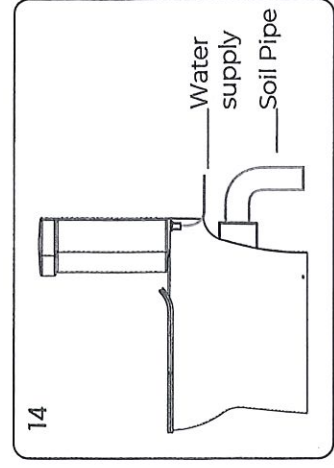
Fixing  
Nut  
Nut  
Bolt



13

Half Flush

Full Flush



14

Water  
supply  
Soil Pipe

### Installing the seat

15. Make sure all the components are present.
16. Push the rubber fixing through the seat fixing holes in the pan. Push the fixing screw through the hinge anchor ensuring all the components are in the correct order. Tighten the screw moderately with a screw driver to secure the hinge anchor in place.
17. Align and locate the seat hinge on the hinge anchors and press down until the seat is parallel with the pan. Adjust the position of the seat so that it lines up with the edges of the pan. When you are satisfied that the seat is in the correct position, remove the seat from the hinge anchors by pressing the middle button on the seat hinge. Tighten the screws fully and place the stainless steel cover plates on the hinge anchors. From the upright position, allow the seat to close on its own and check that the soft closing action is working correctly.

### Fixing the pan

18. Make sure all the components are present.
19. With the pan in the desired location, mark the position of the holes on the floor. Measure the ceramic thickness on of the pan and mark the approximate location of the floor fixings. Drill a hole on the ground and locate the plugs so that they are flush with the ground surface. Tighten the floor fixings.
20. With the pan on the desired location, check that the back of the pan fully meets the wall. Remove the pan and further tighten the floor fixings. Return the pan to the desired location and secure the screws to the floor fixings through the holes on the sides of the pan. Place the cover caps on the side holes.

